

Product Specifications

PGA52 Cardioid Dynamic Kick Drum Microphone

Overview

The PGA52 is a professional quality kick drum microphone with highly durable design and construction that delivers excellent sound. Featuring a swivel joint with a quick release latch for fast and flexible positioning, the PGA52 is ideal for use in low frequency performance and recording applications.

Features

- Tailored microphone cartridge design specifically for low frequency clarity
- Swivel joint with quick release latch with a design similar to bicycle component-locking technology for extremely quick and easy positioning.
- Cardioid polar pattern picks up audio from the source while rejecting unwanted noise
- Updated industrial design with black metallic finish and grille for unobtrusive visual presence
- Available with and without XLR Cable for flexibility in gear choice
 - With 15 ft (4.6 m) XLR-XLR cable
 - Without cable
- Zipper pouch included for additional protection during storage or transport
- Legendary Shure quality design and construction for exceptional performance in rigorous environments



PGA 52

Product Specifications

Type	Dynamic (moving coil)
Frequency Response	50 to 12,000 Hz
Polar Pattern	Cardioid
Output Impedance	150 Ω
Sensitivity <i>at 1 kHz, open circuit voltage</i>	-55 dBV/Pa (1.75 mV) 1 Pa=94 dB SPL
Polarity	Positive pressure on diaphragm produces positive voltage on pin 2 with respect to pin 3
Weight	454 g (16.01 oz)
Connector	Three-pin professional audio (XLR), male
Operating Temperature	-20 to 165 °F (-29 to 74 °C)
Operating Humidity <i>Relative</i>	0 to 95%

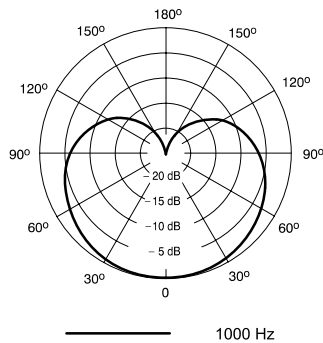
Available SKUs

PGA52-LC	Microphone with integrated quick-release stand, stand adapter, and pouch (Less cable)
PGA52-XLR	Microphone with integrated quick-release stand, stand adapter, pouch and 15 ft (4.6 m) XLR-to-XLR cable

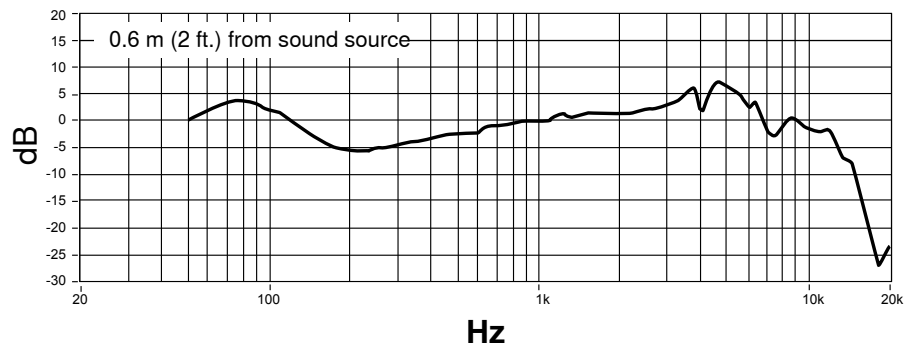
Accessories

31A1856	5/8" to 3/8" thread adapter
C25J	25 ft (7.6 m) XLR-to-XLR cable
RPMP52G	Replacement PGA52 black mesh grille

Polar Pattern



Frequency Response



SHURE[®]

LEGENDARY
PERFORMANCE™

www.shure.com

© 2015 Shure Incorporated