



Middle Atlantic Products, Inc.

middleatlantic.com

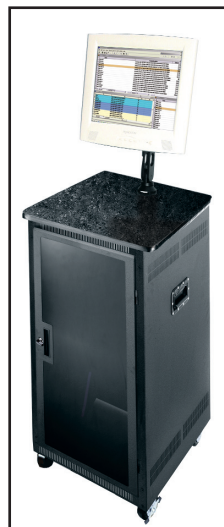
PTRK Series Portable Racks

EIA/TIA Compliant

Secure rolling steel rack serves a variety of applications

Features

- Fully welded 16-gauge construction
- 1/8" thick structural steel internal braces
- Smooth-rolling 4" locking cushion casters
- Available with solid locking front door, or with graphite laminate top and plexi front door
- Standard keylocked front & rear doors
- Rubber-padded spring loaded recessed handles
- Infinitely adjustable 10-32 threaded 11-gauge rackrail
- 500 lb. weight capacity
- Durable textured black powder coat finish



PTRK-14MDK (shown with optional LCD mount)



PTRK-21

PORTABLE RACK ACCESSORIES
REAR RACKRAIL
LATCH
DOCUMENT POCKET

Comes standard with wood top
and plexi front door as shown

Architects' and Engineers' Specifications

EIA compliant 19" equipment rack shall be Middle Atlantic Products model # PTRK-___ / PTRK-___MDK (refer to chart). Overall dimensions of rack shall be ___" H (refer to chart) x 22.63" W x 23.88" D. Useable height shall be ___ rack-spaces (refer to chart). Rack shall have a 500 lb. weight capacity. Rack shall be of fully welded construction. Top, bottom and sides of PTRK-___ (refer to chart) shall be 16-gauge steel, front and rear door shall be 18-gauge steel. Additionally PTRK-___MDK (refer to chart) shall include graphite laminate wood top and plexi front door and solid rear door. All structural elements shall be phosphate pre-treated steel finished in a black powder coat. Rackrail shall be constructed of 11-gauge steel with tapped 10-32 mounting holes in universal EIA spacing with black e-coat finish and numbered rackspace. Rack shall come equipped with smooth rolling 4" locking cushion casters and solid front and rear doors standard.

OPTIONS

- Rear rackrail 10-32 threaded 11-gauge, in universal EIA spacing. Part # PTRK-RRXX (X= # of rack spaces required)
- Single LCD monitor mount accommodates VESA 75 and VESA 100 monitor shall be Middle Atlantic Products part # LD-AM1X1
- UCP panel knockouts accommodate commonly used connectors, see middleatlantic.com for details

electronic version available at middleatlantic.com

Engineered Mounting Solutions

US: New Jersey • California • Illinois • Voice: 973-839-1011 Fax: 973-839-1976 • middleatlantic.com
Canada: Ontario • British Columbia • Voice: 613-836-2501 Fax: 613-836-2690 • middleatlantic.ca

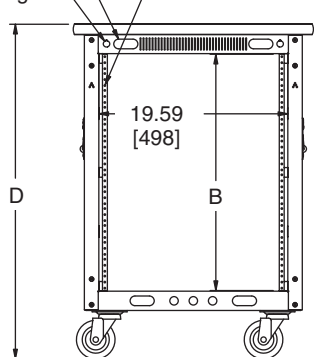
PTRK basic dimensions

All dimensions in inches unless otherwise noted [All dimensions in brackets are in millimeters]

standard worksurface for (PTRK-14MDK and PTRK-21MDK only) with grommet for LCD mount and cable pass through

Fully adjustable threaded 10-32 rackrail front door clearance with rackrail in forward most position = 1.25 [32]

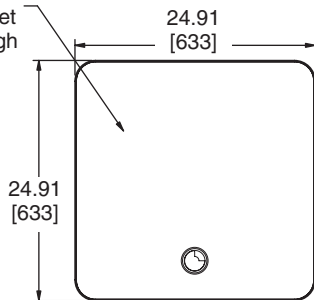
1.00 [25] dia. x 2.50 [64] KO 5/8 single



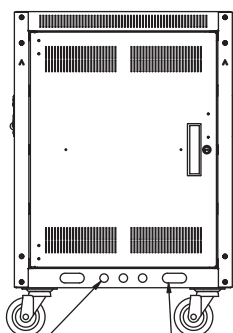
**PTRK-XXMDK
REAR VIEW**

(with wood top shown and doors removed to show rackrail)

**TOP VIEW
PTRK-XXMDK**



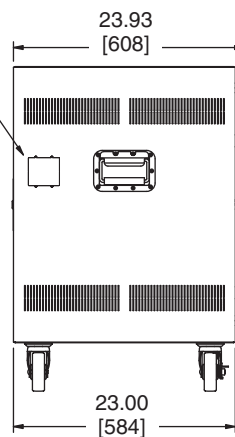
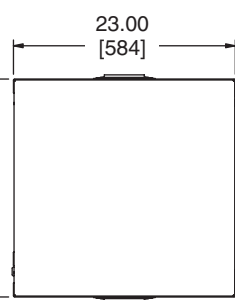
Middle Atlantic Products UCP Series Universal Connector Panel single panel knockout



**PTRK-XX
REAR VIEW**

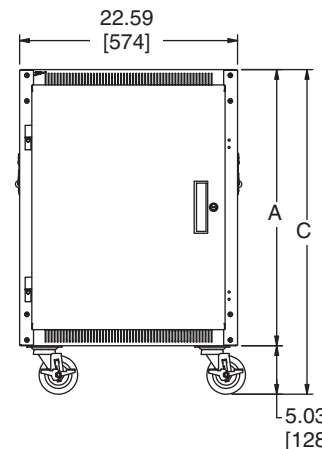
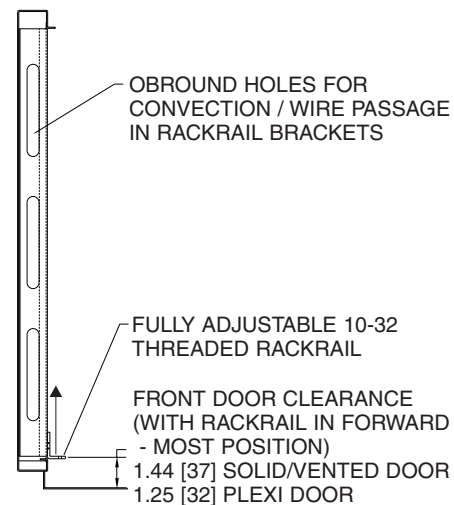
(without wood top)

**TOP VIEW
PTRK-XX**



SIDE VIEW

TOP SECTIONAL VIEW OF PTRK SIDE



FRONT VIEW

PART #	A RACK HEIGHT WITHOUT CASTERS	B USEABLE HEIGHT	C OVERALL HEIGHT WITHOUT WOOD TOP	D OVERALL HEIGHT WITH WOOD TOP	FRONT DOOR
PTRK-14	28.62 [727]	24.50 [622] (14 rackspaces)	33.66 [855]	-	solid
PTRK-21	40.87 [1038]	36.75 [933] (21 rackspaces)	45.91 [1166]	-	solid
PTRK-14MDK	29.67 [754]	24.50 [622] (14 rackspaces)	34.71 [882]	34.70 [881]	plexi
PTRK-21MDK	41.92 [1065]	36.75 [933] (21 rackspaces)	45.91 [1166]	46.95 [1193]	plexi

