

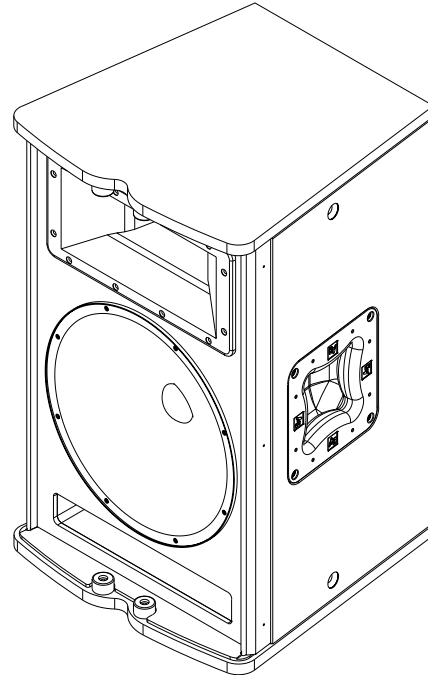
TX1122

TX1122
Single 12" Two-Way,
90° x 50° Full-Range
Loudspeaker System



Key Features:

- DH3 1.25" (32mm) Diaphragm, 1" (25mm) Exit Pure Titanium Compression Driver
- SMX2120 12" (305mm) LF Transducer with Fully Symmetric Drive
- Advanced 4th Order Crossover with HF Protection
- 90° x 50° Coverage Pattern
- 97 dB Sensitivity, 130 dB Maximum SPL
- 500W Continuous (2000W Peak) Power Handling
- Pole Mount for Tripod Use
- (6) 3/8" Threaded Points for Suspension



General Description:

The Electro-Voice® TX1122 is a high power, 2-way loudspeaker system that can be used in a variety of applications where high quality sound reinforcement is required in a lightweight package.

The TX1122 utilizes the DH3, a high output 1.25" titanium compression driver, coupled to a Constant Directivity™ 90° x 50° horn. This combination results in a smooth response to 20 kHz and excellent pattern control in short to medium throw applications.

The SMX2120 12" woofer has an FEA optimized magnet structure for very low distortion and maximum intelligibility at high SPL levels. The crossover uses steep 24 dB/octave slopes with equalization for very smooth response in vocal range, extended HF, and a protection circuit for long term reliability.

The TX1122 has a variety of features that make it equally suited for portable or fixed installation applications. The trapezoidal enclosure is constructed out of a combination of plywood and MDF, and coated with EVCoat™ for maximum strength while still remaining lightweight. The unique grille design is very strong, dent resistant, and features a rotatable logo. Four way handles allow for gripping the TX1122 in a variety of positions, a pole mount allows for placement on a subwoofer or a tripod. Six 3/8" threaded points allow a single TX1122 to be suspended in a various positions. The recessed input panel with dual NL4 connectors keeps the connectors hidden while allowing the TX1122 to be used with the TX1181 subwoofer for extended sub bass on a single amplifier channel, with no additional processing needed.

Technical Specifications:

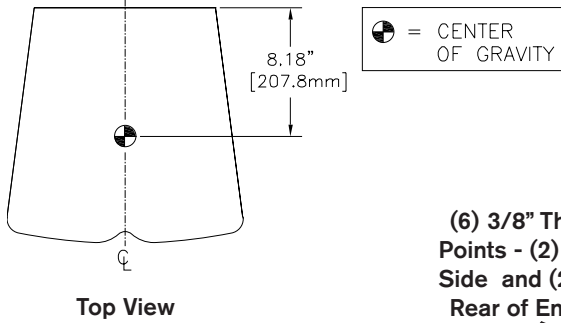
Freq. Response ¹ (-3 dB):	60 Hz - 20 kHz
Freq. Range ¹ (-10 dB):	45 Hz - 20 kHz
Rec. Hipass Frequency:	45 Hz
Axial Sensitivity:	97 dB (1W/1m)
Max. Calculated SPL:	130 dB
Horizontal Coverage:	90°
Vertical Coverage:	50°
Power Handling:	500W Continuous, 2000W Peak
LF Transducer:	SMX2120, 12 in (305mm) Driver
HF Transducer:	DH3, 1.25 in (32mm) Diaphragm Compression Driver
Crossover Frequency:	1750 Hz
Nominal Impedance:	8 Ohms
Minimum Impedance:	5.4 Ohms
Connectors:	(2) Neutrik Speakon NL4's
Enclosure Material:	Plywood and MDF with EVCoat™
Grille:	16 GA Steel, Black Powdercoat, with Rotatable Logo
Suspension:	(6) 3/8" Threaded Points - (2) on Each Side and (2) on the Rear of Enclosure
Dimensions (H x W x D):	24.3" x 15.0" x 15.0" (616mm x 382mm x 380mm)
Net Weight:	44.5 lbs (20.2 kg)
Shipping Weight:	50.0 lbs (22.7 kg)

¹ Half Space Measurement.

Live For Sound
www.electrovoice.com

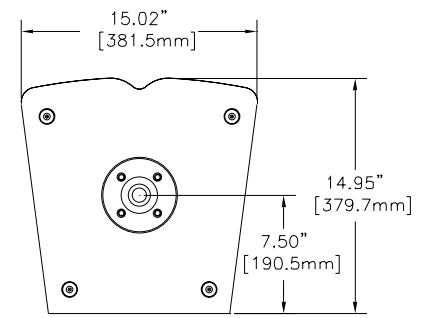
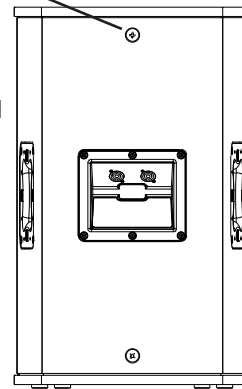
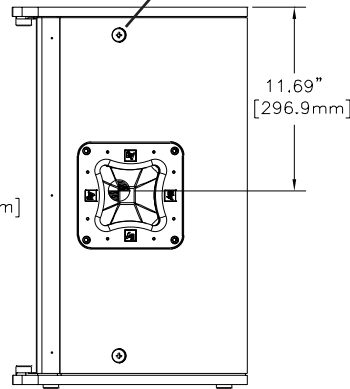
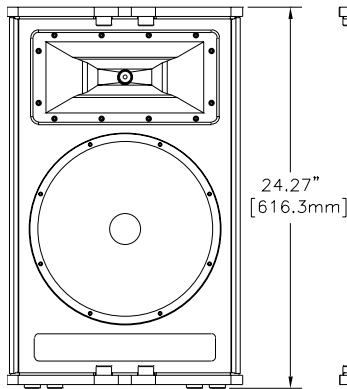
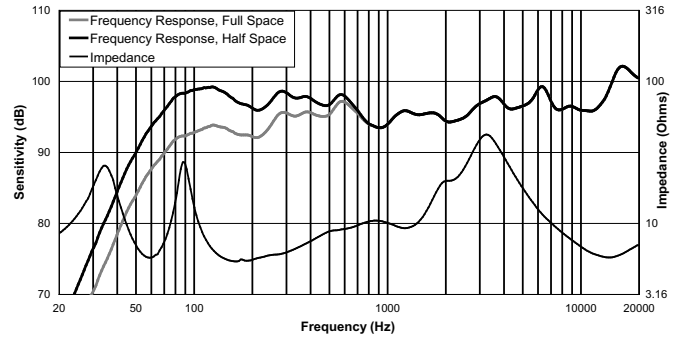


Dimension Drawings:

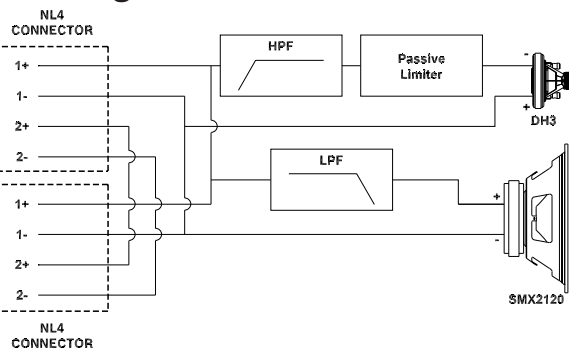


(6) 3/8" Threaded Points - (2) on Each Side and (2) on the Rear of Enclosure

Frequency Response & Impedance:



Block Diagram:



TX1122 Part Numbers

- PRD000138-001 TX1122, Single 12" Two Way, 90° x 50° Full-Range, Black Finish

Performance Match

- PRD000142-001 TX1181, Single 18" Sub, Black Finish
- D170401 CP4000S, 120V Power Amplifier, 2 x 1400W
- D170312 CP3000S, 120V Power Amplifier, 2 x 1100W
- D170258 CP2200, 120V Power Amplifier, 2 x 800W
- PRD000043-001 DC-One, 120V Digital Loudspeaker Controller

Accessories

- 302053-001 TSS-1, Single Aluminum Tripod Stand, Black
- 302053-000 TSP-1, Two Aluminum Tripod Stands with Carrying Case
- 5542930 EBK-1, 3/8" Forged Eyebolt Kit, Set of Three



This TX1122 Loudspeaker should be suspended overhead only in accordance with the procedures and limitations specified. This system should be suspended with certified rigging hardware by an authorized rigging professional and in compliance with local, state, and federal overhead suspension ordinances.

Electro-Voice®

12000 Portland Avenue South, Burnsville, MN 55337
Phone: 952/884-4051, Fax: 952/884-0043

www.electrovoice.com

© Bosch Communications Systems

02/2009

Part Number LIT000175 Rev A

U.S.A. and Canada only. For customer orders, contact Customer Service at: **800/392-3497 Fax: 800/955-6831**

Europe, Africa, and Middle East only. For customer orders, contact Customer Service at: **+ 49 9421-706 0 Fax: + 49 9421-706 265**

Other International locations. For customer orders, Contact Customer Service at: **+ 1 952 884-4051 Fax: + 1 952 887-9212**

For warranty repair or service information, contact the Service Repair department at: **800/685-2606**

For technical assistance, contact Technical Support at: **866/78AUDIO**

Specifications subject to change without notice.